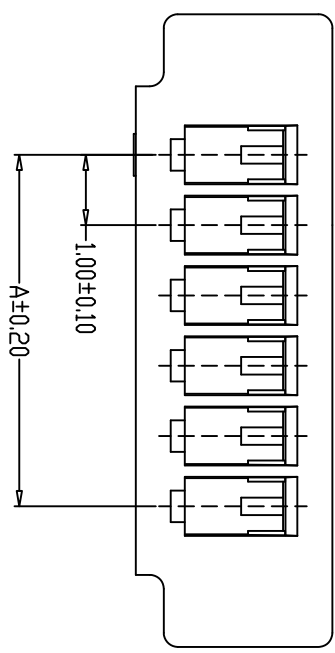
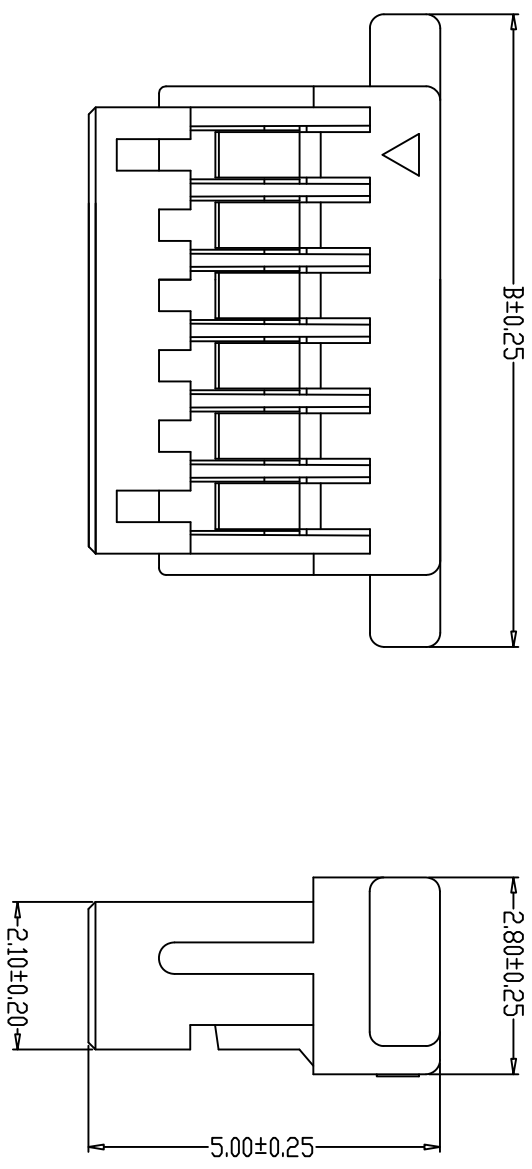


- SPECIFICATIONS
- 1、Current Rating: 1A AC, DC
  - 2、Voltage Rating: 50V AC, DC
  - 3、Temperature Range: -25°C~+85°C
  - 4、Contact Resistance: 20mΩ Max
  - 5、Insulation Resistance: 100MΩ Min
  - 6、Withstanding Voltage: 500V AC/minute
  - 7、Material: PBT, UL94V-0



编 号	尺寸 (mm)	
	A	B
A1001-02Y	1.00	5.00
A1001-03Y	2.00	6.00
A1001-04Y	3.00	7.00
A1001-05Y	4.00	8.00
A1001-06Y	5.00	9.00
A1001-07Y	6.00	10.00
A1001-08Y	7.00	11.00
A1001-09Y	8.00	12.00
A1001-10Y	9.00	13.00
A1001-11Y	10.00	14.00
A1001-12Y	11.00	15.00
A1001-20Y	19.00	23.00

	X ±0.5	X*±	单位	mm
	.X±0.30	X*±	比例	SCALE
.XX±0.20	.XX*±	核准:	版本: A0	产品名称
.XXX±0.005	.XXX*±	审核:	页次: 1/1	Product name
		制图:	日期:	Product No
		封文版	2022.8.31	客户料号
				Client No

**深圳市泰华电子有限公司**  
**TaiHua Electronics Co., Ltd**

1.0孔距  
TH-A1001-NY